

Play value

Balancing on a rope corresponds to a original feeling towards life. The risk of doing it is an exciting game against the force of gravity and the sense of balance. Everybody knows the feeling of following one's thread of their own life while constantly balancing, and of being in danger of tipping to one side or the other. Here on the balancing rope, inner balance can be experienced and practised.



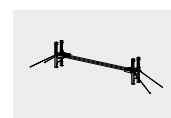
© Richter Spielgeräte GmbH 09/20

Recommended for

- School children
- Young people
- Swimming pools without supervision, such as outdoor pools, adventure pools or similar
- Supervised play areas, such as kindergartens, schools, after-school programmes or similar

Balancing Rope
graubner Play Stations for
 Developing the Senses

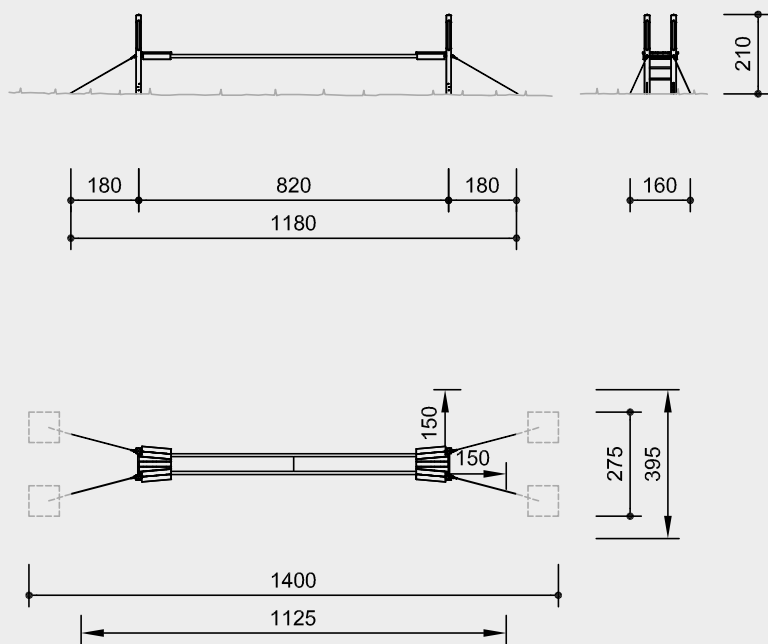
Vandalism	not vulnerable
Supervision	not necessary
Explanation Board	not necessary
Installation	outdoors
Safety check (EN 1176)	has been completed
Installation in concrete	not possible



10.95000

Design W. Graubner / H. Kükkelhaus

Order No. 10.95000
Balancing Rope



Scale 1:200

Safety check according to EN 1176

Components

2 Ladder supports with tensioning ropes, pedestals, ropes and foundation anchors

Explanation board on request

Installation information

Surfacing requirements corresponding to a fall height of ≤ 1.50 m (please refer to price list for more detailed information)

Foundations
 2 items 120 x 120 x 60 cm
 Excavation depth 80 cm
 4 items 80 x 80 x 60 cm
 Excavation depth 100 cm

Attention!
Exact measurements may vary, for all installation dimensions refer to current installation instructions.
 Technical changes reserved.

Technical information

Equipment made of oak

Core-free

Sawn-timbers core-free, thus decreasing occurrences of cracking and undesired changes in shape



Hardwood rungs

Climbing rungs made of hardwood (ash) \varnothing 4.2 cm, milled and mortised, secured against twisting, easy to grip and not cold for children to touch



Richter Hercules type rope

Richter Hercules type rope, a combination of galvanised six-strand steel cables and polyester yarn, diameter > 20 mm, laid and glued with very good abrasion resistance, strong sheathing even in the case of damage by puncturing



Aluminium rope pressing

Aluminium rope pressing, cylindrically pressed, with rounded ends



Sintered bush

For all reciprocating movements we use sintered plain bearings which are self-lubricating in use and can easily be exchanged if necessary



Ground anchor

All parts used for anchoring to the ground are made of hot-dip galvanised steel or stainless steel



For more detailed explanation of the quality characteristics see price list.

PP ropes with connection rope, \varnothing 80 mm, with steel core

Dimensions

(small deviations possible)

Height	2.10 m
Length	11.80 m
Width	1.60 m
Weight	300 kg



10.95000