



Skills

Level 2: The AMPHIBIAN in us – being shy means being able to protect yourself. This is the way we strengthen our passion for discovery and our ability to protect ourselves. Exploring the world from a place of emotional security.

Retreat and curiosity promote a passion for discovery. You will be able to identify the difference between internal/external and new/far. You will improve your confidence to explore.

How to perform the exercise

Lie face down with your arms stretched out in front of you and pull yourself through the opening. Slipping through activates the sense of curiosity. What's happening out there?

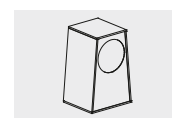
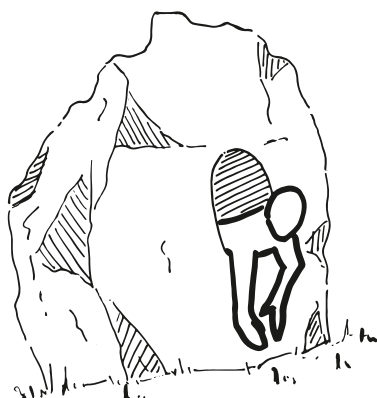
Discover the other side and experience the interplay of curiosity and retreat at the same time. Use your arms to pull yourself forwards or to push yourself backwards.



EVOPÄD® Discovery Slither Box
EVOPÄD® Landscape Slither Stone

© Richter Spielgeräte GmbH 2019

Design: Ludwig Koneberg

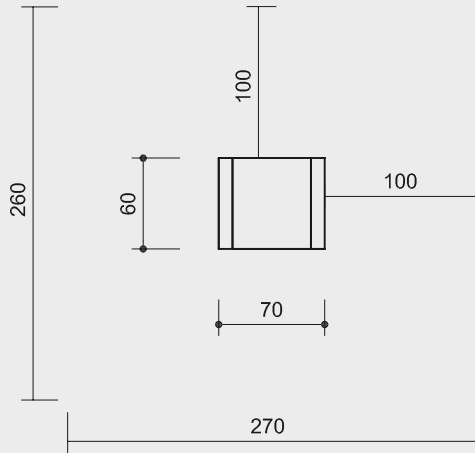
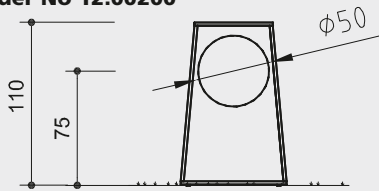


12.00200

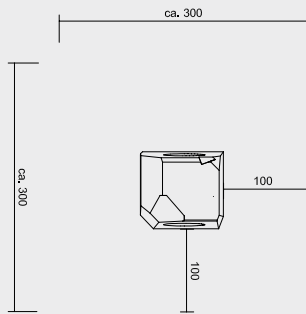


12.00210

Order No 12.00200



Order No 12.00210



scale 1:50

Technical information

12.00200

equipment made of birch plywood
21 mm, waterproof glue laminated

drainpipe diameter 500 mm,
wall thickness 12 mm

12.00210

equipment made of limestone

Dimensions

(small deviations possible)

Order No.		12.00200
height	1.10 m	
length	0.70 m	
width	0.60 m	
weight	50 kg	

Order No.		12.00210
height	variable	
length	variable	
width	variable	
weight	2 to 3 tons	

Safety

This equipment is not playground equipment within the scope of EN 1176 and therefore is also not subject to the requirements of this standard. However, it is complied with where appropriate.

Components

Order No. 12.00200

1 EVOPÄD® Discovery Slither Box

Order No. 12.00210

1 EVOPÄD® Landscape Slither Stone

Installation information

12.00200

recommended space including operational space 270 x 260 cm
no foundations required
surfacing firm and level

12.00210

recommended space including operational space 300 x 300 cm
No foundation is necessary due to the inherent weight of the equipment

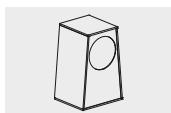
Note: The **EVOPÄD® Discovery Slither Box** play equipment is only suitable for use in indoor areas.

The **EVOPÄD® Landscape Slither Stone** play equipment is only suitable for use in outdoor areas.

Attention:

Exact measurements may vary; for all installation dimensions refer to current assembly instructions.

Technical changes reserved.



12.00200



12.00210