

**Skill**

Level 4: The MAMMAL in us – being timid means being able to express feelings. This is the way we improve our emotional perception and closeness and distancing behaviour. We get to know our needs, express emotions, and reflect on our experiences. Physical movements and senses become coordinated. Development of a sense of time. This is a basic prerequisite for anything to do with learning.

Body-hand-eye coordination is the basis for reading, writing and arithmetic skills as well as three-dimensional thinking.



**How to perform the exercise**

Moving on the Evotrainer® allows you to explore gravity and centrifugal forces. This is the basis for movement, spatial orientation and the sense of laterality. Start off on the Evotrainer® by holding on to the disc with one hand and slowly beginning to walk as if you were on a circular treadmill. You can now alternate between speeding up and stopping abruptly as well as changing the position of the body. Shift your centre of gravity and vary your viewing direction to train your sense of balance at this level.

**Skills**

Level 5: The MONKEY in us – being egocentric means being able to look after yourself, while sharing promotes peace. This is the way we train our virtuosity with balance.

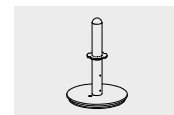
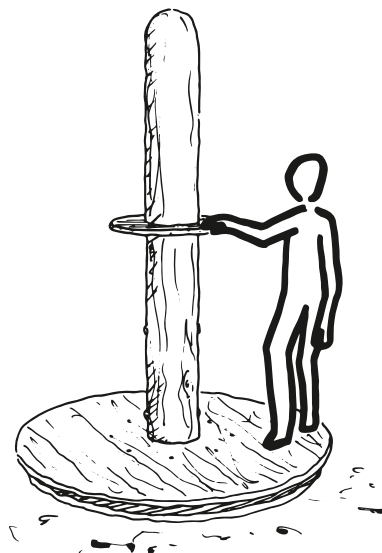
We discover the finer details of social behaviour. This allows us to try out, improve and emotionally experience our opportunities and possibilities. Colour and shape perception are trained as well as the ability to gain a general overview, and goal-oriented behaviour. Like a tribe of monkeys that jump, hop, climb and move around on unsteady surfaces, this balance game also helps us to improve our social behaviour.



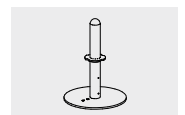
**How to perform the exercise**

Start off on the Evotrainer® by holding on to the disc with one hand and slowly beginning to walk as if you were on a circular treadmill. You can now alternate between speeding up and stopping abruptly as well as changing the position of the body. The direction of movement should be forwards as well as backwards. All body positions are possible and desired: standing, kneeling, lying, pulling yourself up, swinging, spinning, building up momentum and looking upwards.

**EVOTRAINER® Discovery**  
**EVOTRAINER® Landscape**

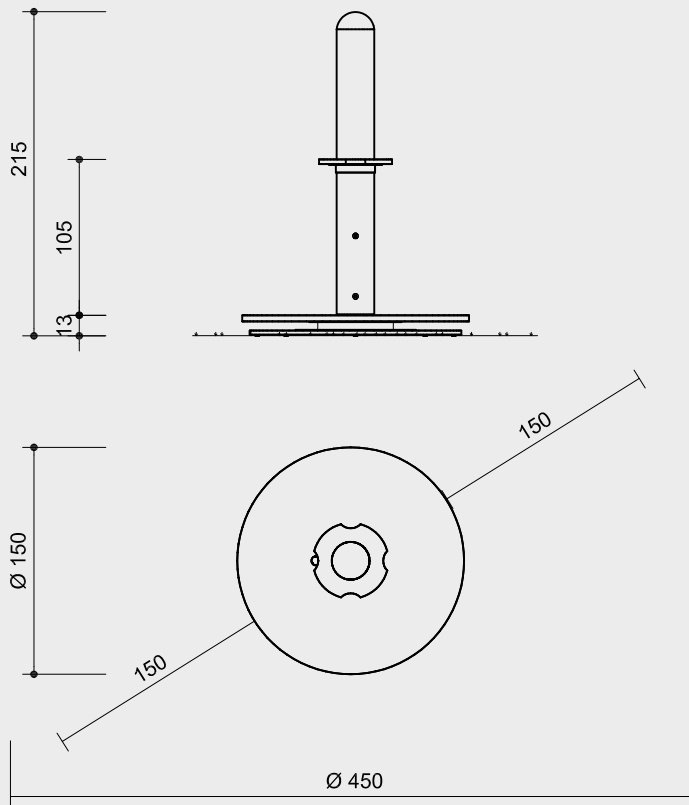


12.00400



12.00410

**Order No. 12.00400/ 12.00410**



scale 1:50

**Technical information**

centre column made of non-impregnated mountain larch, core-free and waterproof glue laminated, thus decreasing occurrences of cracking

coated bearing

handwheel made of larch 3-ply plywood board, 30 mm, waterproof glue laminated, stainless steel handrail fastening element

top of base element made of larch 5-ply plywood 40 mm, waterproof glue laminated

**12.00400**

bottom base element made of birch plywood, 27 mm, waterproof glue laminated

**Dimensions**

(small deviations possible)

<b>Order No.</b>		<b>12.00400</b>
height	2.15 m	
diameter	1.50 m	
weight	200 kg	

<b>Order No.</b>		<b>12.00410</b>
height	2.15 m	
diameter	1.50 m	
weight	170 kg	

**Safety**

This equipment is not playground equipment within the scope of EN 1176 and therefore is also not subject to the requirements of this standard. However, it is complied with where appropriate.

**Components**

**order No.12.00400**

EVOTRAINER® Discovery  
1 centre column  
1 revolving disc

**12.00410**

EVOTRAINER® Landscape  
1 centre column  
1 revolving disc  
for fixation with bolts, including fastening material

**Installation information**

**12.00400**

recommended space including operational space circle diameter 4.50 m  
no foundations required  
surfacing firm and level

**12.00410**

recommended space including operational space circle diameter 4.50 m  
Foundations 1 item 80 x 80 x 60 cm, excavation depth 60 cm

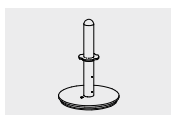
**Note:** The EVOTRAINER® Discovery play equipment is only suitable for use in indoor areas.

The EVOTRAINER® Landscape play equipment is only suitable for use in outdoor areas.

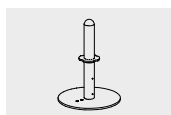
**Attention:**

**Exact measurements may vary; for all installation dimensions refer to current assembly instructions.**

Technical changes reserved.



**12.00400**



**12.00410**