


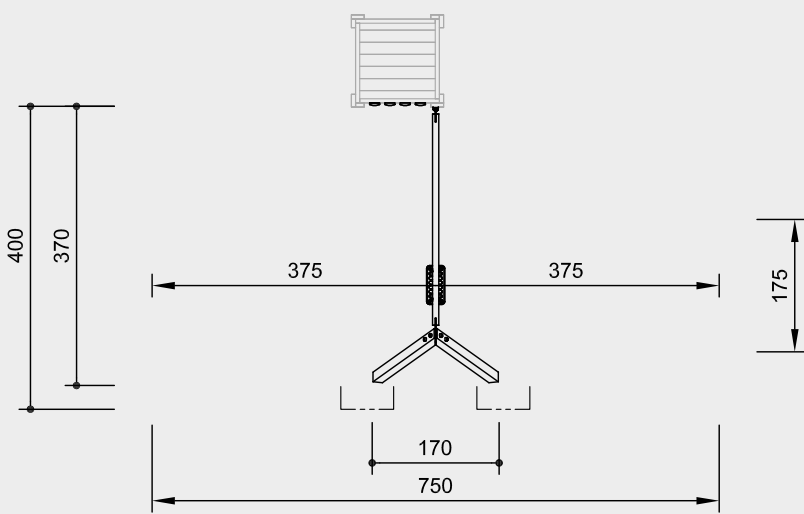
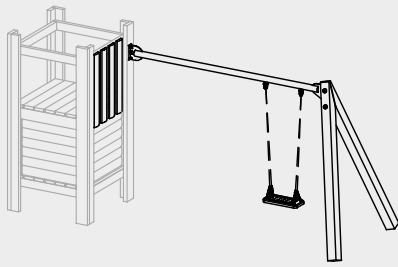


Order No. 3.19802 Single Swing special long
for attachment to Huts 1.50 m

Safety distance 
Device dimensions 
Functional distance 



Scale 1:100

Safety check according to DIN EN 1176

Components

- 1 Swing frame with steel feet
- 1 Cross beam made of steel
- 1 Swing seat with chains
- 1 Guarding section (pre-installed to hut)

Installation information

Surfacing requirements corresponding to a fall height of ≤ 1.50 m (please refer to price list for more detailed information)

Foundations
2 items 60 x 70 x 40 cm
Excavation depth 60 cm

Attention:
Exact measurements may vary; for all installation dimensions refer to current assembly instructions.
Technical changes reserved.

Technical information

Equipment made of non-impregnated mountain larch

Core-free

Sawn-timbers core-free, thus decreasing occurrences of cracking and undesired changes in shape



Claddings

Claddings made of mountain larch (4 – 5 cm). Peeled white by hand, natural tree surface remains tangible and perceptible



Swing seat

Ergonomically shaped swing seat made of rubber with soft shock absorbing edge. Durable due to strong profiled steel insert



Swing joint

Drop-forged, hot-dip galvanised swing joint with sintered bush and integrated swivel



Interlocking

Interlocking connection, with milled metal rings or serrated disc dowels, to reinforce the bolt connection under high loads transverse to the grain direction of the wood



Sintered bush

For all reciprocating movements we use sintered plain bearings which are self-lubricating in use and can easily be exchanged if necessary



Ground anchor

All parts used for anchoring to the ground are made of hot-dip galvanised steel or stainless steel



Cross beam made of steel

Swing cross beam made of hot-dip galvanized steel. Optimized swing geometry with rigid corner connections, thus allowing for smaller foundations and easier foundation covering



Chains

Chains made of hot-dip galvanized steel (1.4301 / 1.4571 at extra charge) welded before galvanising, short-linked, without eyelets on the connecting parts, easy to exchange and shorten

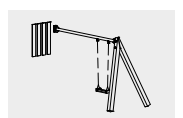


For more detailed explanation of the quality characteristics see price list.

Dimensions

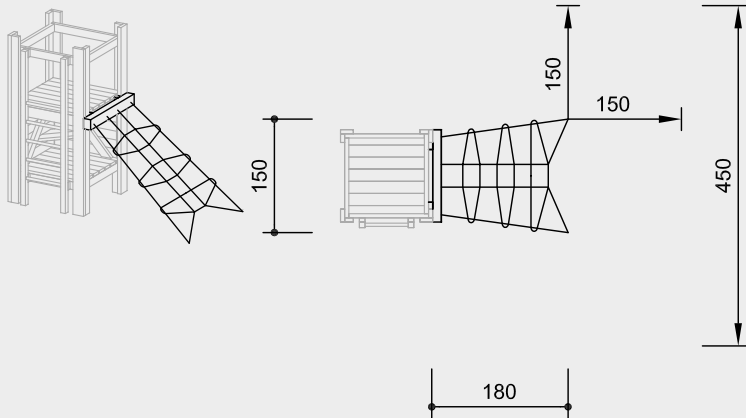
(small deviations possible)

Height	2.20 m
Vertical clearance	2.05 m
Length	3.70 m
Width	1.70 m
Weight	135 kg

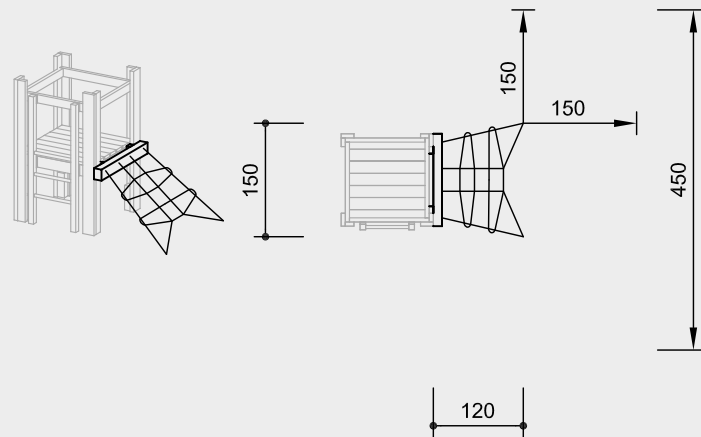


Order No. 3.69120
Inclined Climbing Net
 for attachment to Huts 1.50 m

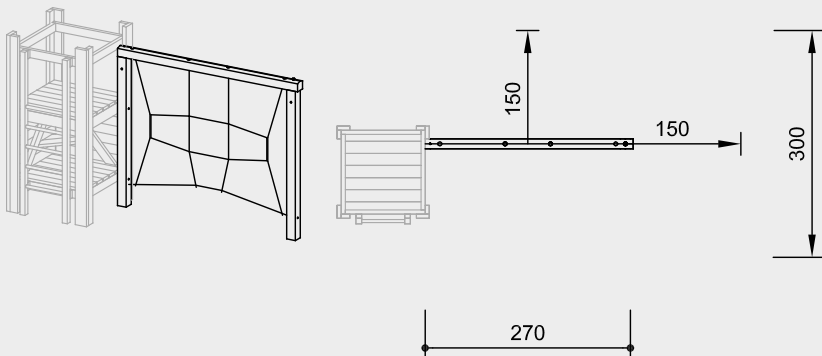
Safety distance →
 Device dimensions —●—
 Functional distance —|—



Order No. 3.69124
Inclined Climbing Net
 for attachment to Huts 1.00 m



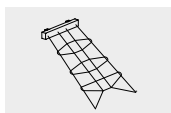
Order No. 3.69355
Vertical Climbing Net
 for attachment to Huts 1.50 m



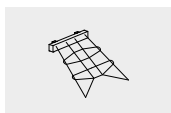
Scale 1:100

Safety check according to DIN EN 1176

Attention:
 Exact measurements may vary;
 for all installation dimensions refer
 to current assembly instructions.
 Technical changes reserved.



3.69120



3.69124



3.69355

Technical information

All woods made of mountain larch

Core-free

Sawn-timbers core-free, thus decreasing occurrences of cracking and undesired changes in shape



Richter Hercules type rope

Richter Hercules type rope, a combination of galvanised six-strand steel cables and polyester yarn, diameter > 20 mm, laid and glued with very good abrasion resistance, strong sheathing even in the case of damage by puncturing



Aluminium rope pressing

Aluminium rope pressing, cylindrically pressed, with rounded ends



S-connectors

S-connectors Ø 8.1 mm, made of high-quality stainless steel, rounded



Rope connection fixed

Fixed rope connection without dangerous openings. Screw connection adjustable and countersunk in the wood



Ground anchor

All parts used for anchoring to the ground are made of hot-dip galvanised steel or stainless steel



For more detailed explanation of the quality characteristics see price list.

Dimensions

(small deviations possible)

Order No. 3.69120
Inclined Climbing Net

Net 1.00 x 2.20 m
 Weight 50 kg

Order No. 3.69124
Inclined Climbing Net

Net 1.00 x 1.40 m
 Weight 40 kg

Order No. 3.69355
Vertical Climbing Net

Height 2.20 m
 Width 2.70 m
 Weight 70 kg

Components

Order No. 3.69120 / 3.69124

1 Inclined net with cross beam, anchoring to the ground with chains and tensioning levers

Order No. 3.69355

1 Net with cross beam
 2 Stand post, 1 with steel feet
 1 Bracing button

Installation information

Surfacing requirements corresponding to a fall height of
Order No. 3.69120 / 3.69355 ≤ 1.50 m
Order No. 3.69124 ≤ 1.00 m
 (please refer to price list for more detailed information)

Foundations

Order No. 3.69120 / 3.69124

2 items 50 x 50 x 40 cm
 Excavation depth 80 cm

Order No. 3.69355

1 item 60 x 60 x 60 cm
 Excavation depth 80 cm