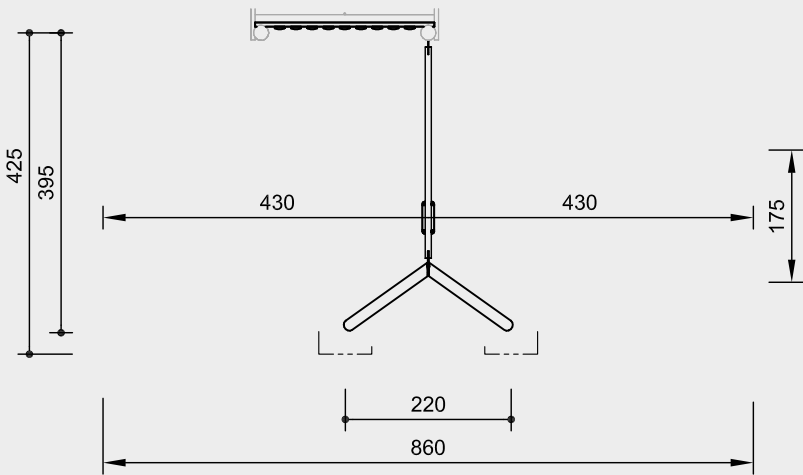
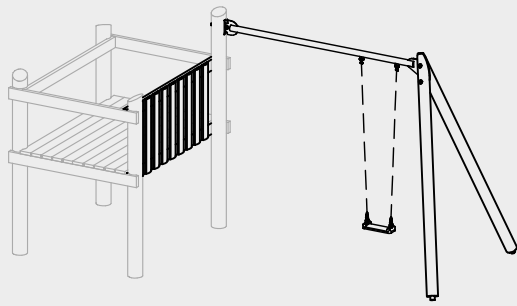


Order No. 3.19852
High Swing special long
 for attachment to Platform 1.50 m

Safety distance ———→
 Device dimensions ———●
 Functional distance ———|



Scale 1:100

Safety check according to DIN EN 1176

Components

- 1 Support frame with steel feet
- 1 Cross beam made of steel with joints
- 1 Swing seat with chains
- 1 Quarding section for platform

Dimensions

(small deviations possible)

Height	3.00 m
Vertical clearance	2.80 m
Length	3.95 m
Width	2.20 m
Weight	145 kg

Installation information

Surfacing requirements corresponding to a fall height of ≤ 2.00 m (please refer to price list for more detailed information)

Foundations
 2 items 60 x 70 x 40 cm
 Excavation depth 60 cm

Attention:
Exact measurements may vary;
for all installation dimensions refer to current assembly instructions.
 Technical changes reserved.

Technical information

Equipment made of non-impregnated mountain larch

Peeled white

Palisades peeled white means that bark, cambium and sapwood are removed, the natural shape of the trunk is preserved and can be experienced



Bevel cut

Vertical stand posts with bevelled end grain section as constructive wood preservation measure



Claddings

Claddings made of mountain larch (4 – 5 cm). Peeled white by hand, natural tree surface remains tangible and perceptible



Swing seat

Ergonomically shaped swing seat made of rubber with soft shock absorbing edge. Durable due to strong profiled steel insert



Swing joint

Drop-forged, hot-dip galvanised swing joint with sintered bush and integrated swivel



Profiled washer

Profiled washer for covering protruding screw heads according to standard, improved pressure distribution and protection against water. Impedes loosening the bolt



Interlocking

Interlocking connection, with milled metal rings or serrated disc dowels, to reinforce the bolt connection under high loads transverse to the grain direction of the wood



Sintered bush

For all reciprocating movements we use sintered plain bearings which are self-lubricating in use and can easily be exchanged if necessary



Ground anchor

All parts used for anchoring to the ground are made of hot-dip galvanised steel or stainless steel



Cross beam made of steel

Swing cross beam made of hot-dip galvanized steel. Optimized swing geometry with rigid corner connections, thus allowing for smaller foundations and easier foundation covering



Chains

Chains made of hot-dip galvanized steel (1.4301 / 1.4571 at extra charge) welded before galvanising, short-linked, without eyelets on the connecting parts, easy to exchange and shorten

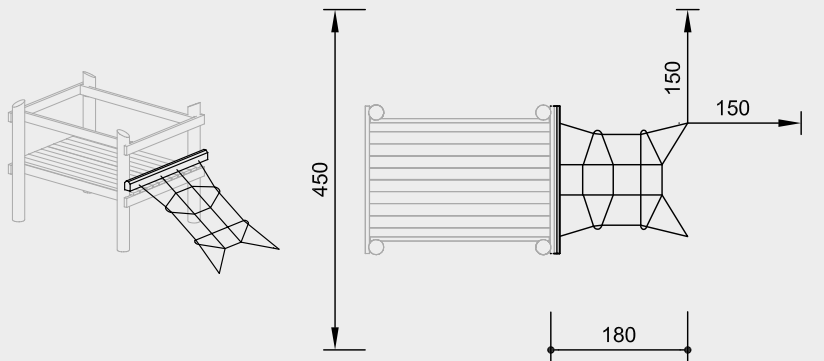


For more detailed explanation of the quality characteristics see price list.

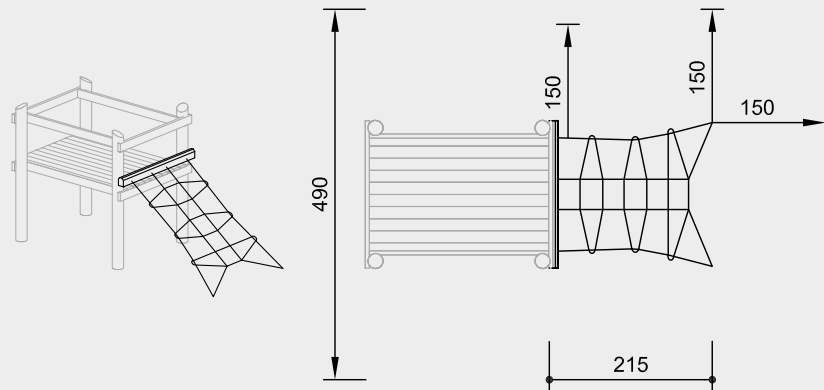
© Richter Spielgeräte GmbH 06/22



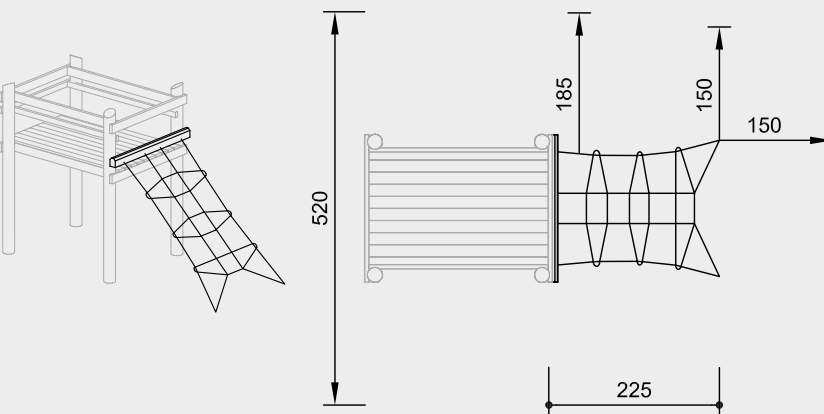
Order No. 3.69140
Inclined Climbing Net
 for attachment to Platform 1.00 m



Order No. 3.69160
Inclined Climbing Net
 for attachment to Platform 1.50 m



Order No. 3.69180
Inclined Climbing Net
 for attachment to Platform 2.00 m



Scale 1:100

Safety check according to DIN EN 1176

Technical information

Wooden parts made of mountain larch

Core-free

Sawn-timbers core-free, thus decreasing occurrences of cracking and undesired changes in shape



Richter Hercules type rope

Richter Hercules type rope, a combination of galvanised six-strand steel cables and polyester yarn, diameter > 20 mm, laid and glued with very good abrasion resistance, strong sheathing even in the case of damage by puncturing



Aluminium rope pressing

Aluminium rope pressing, cylindrically pressed, with rounded ends



S-connectors

S-connectors Ø 8.1 mm, made of high-quality stainless steel, rounded



Rope connection fixed

Fixed rope connection without dangerous openings. Screw connection adjustable and countersunk in the wood



Profiled washer

Profiled washer for covering protruding screw heads according to standard, improved pressure distribution and protection against water. Impedes loosening the bolt



Adjustable

Adjustable two-piece bolt connection, easy to maintain, no projecting threads



For more detailed explanation of the quality characteristics see price list.

Dimensions

(small deviations possible)

Order No. 3.69140

Net 1.50 x 2.00 m
 Installation height 1.00 m
 Weight 55 kg

Order No. 3.69160

Net 1.50 x 2.50 m
 Installation height 1.50 m
 Weight 60 kg

Order No. 3.69180

Net 1.50 x 3.00 m
 Installation height 2.00 m
 Weight 65 kg

Components

1 Inclined climbing net with cross beam

Installation information

Surfacing requirements corresponding to a fall height determined by installation height (please refer to price list for more detailed information)

Foundations
 2 items 50 x 50 x 40 cm
 Excavation depth 80 cm

Attention:

Exact measurements may vary; for all installation dimensions refer to current assembly instructions.
 Technical changes reserved.



3.69140



3.69160



3.69180