

Play value

The claddings of the tower walls are de-barked by hand allowing them to retain the natural structure of the wood. This means you can still feel where the branches used to grow on the tree, and the grain remains visible. The natural surface is more important to us than the cost savings of using industrial production. The playrooms of our towers are also little individual play-house offers and their size matches that of a child's perception. By providing intermediate floors, cosy little rooms are created; some are fitted with a hatch. A bench in the bottom room is an inviting place to meet for a chat where children feel sheltered and protected. Climbing up to the next floor in the tower is also very exciting. The various combination elements such as slide, suspension bridge, chain path etc. make the tower especially appealing. To enhance the transparency, the side walls of the tower can be fitted with four lookout slits at an additional charge.



Order No. L3.20500 Square Tower



Photo © Barbara Evripidou

© Richter Spielgeräte GmbH 10/21

Fundamental characteristics

- High-quality design
- Very special appeal
- Versatile opportunities for combination rooms for play inside
- Incentive for playing: experiencing height, cosy rooms, role-playing games
- Movement: climbing

Recommended for

- Kindergarten children
- School children
- Supervised play areas such as kindergartens, schools, after-school programmes or similar
- Public play areas without supervision such as playgrounds, parks or similar

Towers for combination

- Square Tower**
- Square Tower with Roof**


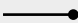
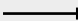


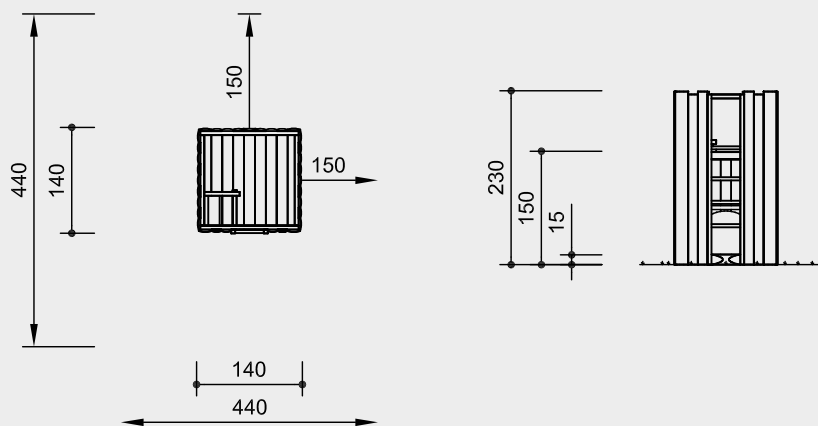
L3.20500



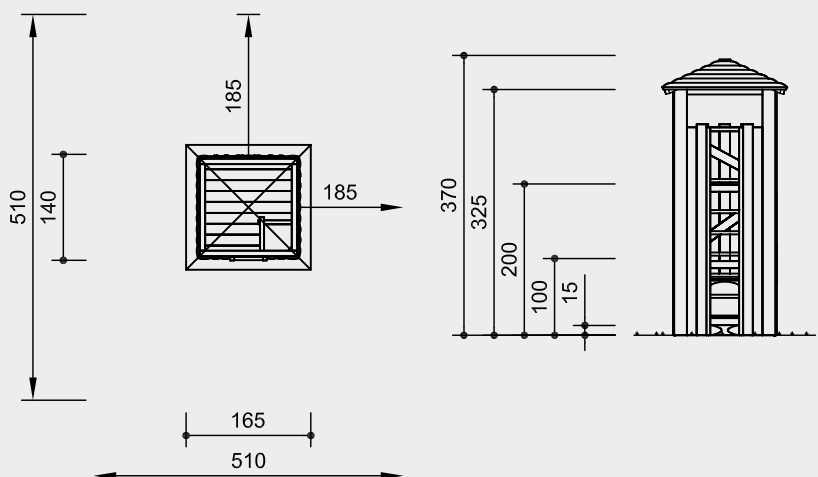
L3.20600

Order No. L3.20500
Square Tower

Safety distance 
Device dimensions 
Functional distance 



Order No. L3.20600
Square Tower with Roof



Scale 1:100

Safety check according to DIN EN 1176

Components

Order No. L3.20500

- 1 Tower with:
 - 2 Floors, 1 ladder
 - 1 Bench in the lower room
 - 1 Passageway
- 4 Steel feet

Order No. L3.20600

- 1 Tower with:
 - 3 Floors, 1 ladder
 - 1 Bench in the lower room
 - 1 Passageway from 1st to 2nd floor
- 1 Roof
- 4 Steel feet

Installation information

Surfacing requirements corresponding to a fall height of
Order No. L3.20500 ≤ 1.50 m
Order No. L3.20600 ≤ 2.00 m
 (please refer to price list for more detailed information)

Foundations
 4 items 50 x 50 x 55 cm
 Excavation depth 75 cm

Attention:
Exact measurements may vary; for all installation dimensions refer to current assembly instructions.
 Technical changes reserved.

Technical information

Equipment made of non-impregnated mountain larch

Core-free

Sawn-timbers core-free, thus decreasing occurrences of cracking and undesired changes in shape



Claddings

Claddings made of mountain larch (4 – 5 cm). Peeled white by hand, natural tree surface remains tangible and perceptible



Hardwood rungs

Climbing rungs made of hardwood (ash) Ø 4.2 cm, milled and mortised, secured against twisting, easy to grip and not cold for children to touch



Ground anchor

All parts used for anchoring to the ground are made of hot-dip galvanised steel or stainless steel



For more detailed explanation of the quality characteristics see price list.

Completely assembled construction

Dimensions

(small deviations possible)

Order No. L3.20500
Square Tower

Height	2.30 m
Floor heights	0.15 m
	1.50 m
Footprint	1.40 x 1.40 m
Weight	350 kg

Order No. L3.20600
Square Tower with Roof

Height	3.70 m
Floor heights	0.15 m
	1.00 m
	2.00 m
Footprint with roof	1.40 x 1.40 m
	1.65 m x 1.65 m
Weight	550 kg



L3.20500



L3.20600