

Play value

The Hexagonal Platform is perfectly suited as centre of a small play installation. Through the versatile attachment offers, above all attractive activity equipment such as slide, inclined wall, climbing net or firemen's pole many children can play at the same time; this is important, for instance, on school playgrounds. The Platform is also available with a roof.

Fundamental characteristics

- Hexagonal structure with versatile opportunities for attachment elements
- Sturdy meeting point
- Incentive for playing: climbing up, enjoying the view
- Movement: climbing

Recommended for

- School children
- Young people
- Supervised play areas such as kindergartens, schools after-school programmes or similar
- Public play areas without supervision such as playgrounds, parks or similar



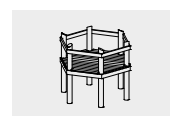
Platforms for combination

Hexagonal Platform

- Height 1.00 m
- Height 1.50 m
- Height 2.00 m



3.28100



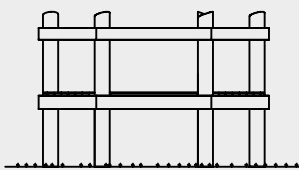
3.28300



3.28500

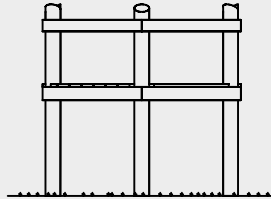
Order No. 3.28100
Hexagonal Platform
Height 1.00 m

205
100

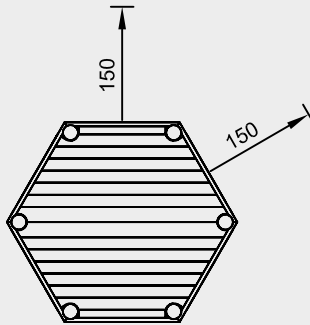


Order No. 3.28300
Hexagonal Platform
Height 1.50 m

255
150



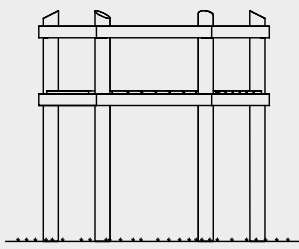
570
265



305
610

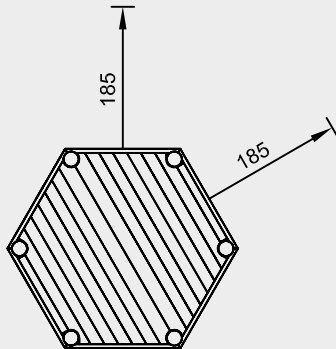
Order No. 3.28500
Hexagonal Platform
Height 2.00 m

305
200



Safety distance →
Device dimensions ●
Functional distance —

640
265



305
680

Scale 1:100

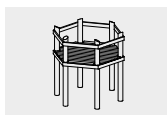
Safety check according to DIN EN 1176



3.28100



3.28300



3.28500

Technical information

Peeled white

Palisades peeled white means that bark, cambium and sapwood are removed, the natural shape of the trunk is preserved and can be experienced



Bevel cut

Vertical stand posts with bevelled end grain section as constructive wood preservation measure



Perforated

The earth / air zone of the wood is perforated by numerous small bore holes to ensure that the impregnating agent penetrates this particularly endangered zone



Core-free

Sawn-timbers core-free, thus decreasing occurrences of cracking and undesired changes in shape



Tongue and groove

Tongue and groove planks made of 4 cm solid wood, highly resilient, no trickling of dust / sand, protection against direct rain



For more detailed explanation of the quality characteristics see price list.

Dimensions

(small deviations possible)

Order No. 3.28100

height 2.05 m
floor height 1.00 m
floor size 3.05 x 2.65 m
weight 400 kg

Order No. 3.28300

height 2.55 m
floor height 1.50 m
floor size 3.05 x 2.65 m
weight 480 kg

Order No. 3.28500

height 3.05 m
floor height 2.00 m
floor size 3.05 x 2.65 m
weight 550 kg

Components

1 Platform complete
with 2 floor elements and guardrails

Installation information

Surfacing requirements determined by floor height (please refer to price list for more detailed information)

Foundations
6 items 60 x 60 x 60 cm
Excavation depth 80 cm

Attention:

Exact measurements may vary, for all installation dimensions refer to current installation instructions.

Technical changes reserved.

Equipment also available with steel feet or made of mountain larch with steel feet.