

**Play value**

The friendly look of the animal families gives a special atmosphere to a play area. This large play equipment allows for fun with movement, role play and understanding of the quantity units one to five, and is therefore a useful addition for small children's areas.



Order No. 4.24240 Duck Family



Order No. 4.24240 Duck Family



Order No. 4.24240 Duck Family



Order No. 4.24260 Chicken Family

**Fundamental characteristics**

- Child proportions according to ergonomic requirements
- Careful use of colours
- Unique design
- Use of wood for visual perception
- Incentive for playing: mother-child-situation, small-big, coloured holding grips and connecting ropes
- Movement: moving one's centre of gravity, sitting, crawling, pushing, gentle up and down movement of duck and chicken mother

**Recommended for**

- Children under 3 years
- Kindergarten children
- Supervised play areas, such as kindergartens, schools, after-school programmes or similar
- Public play areas without supervision, such as playgrounds, parks or similar

**Duck Family  
Chicken Family**

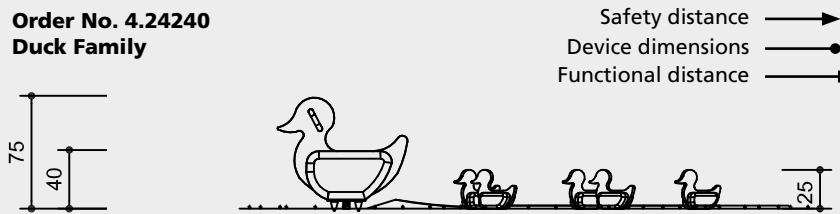


4.24240

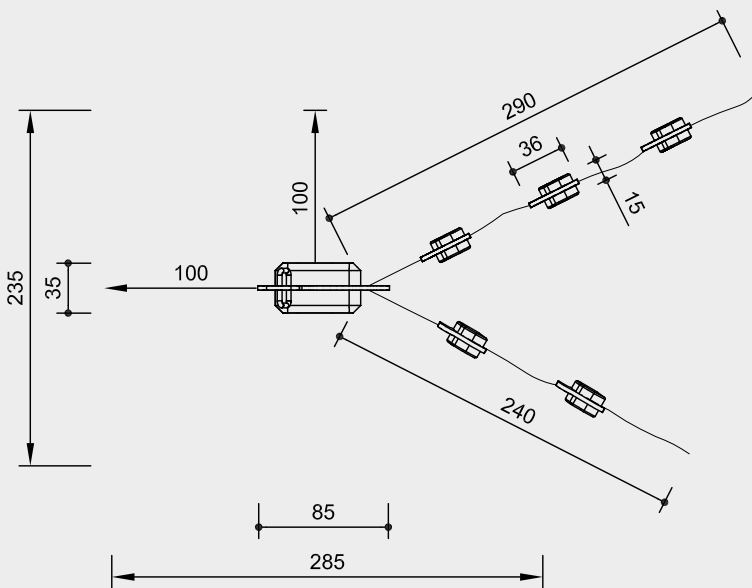
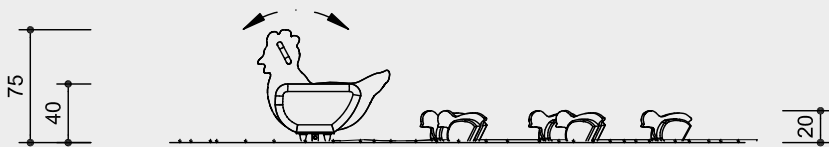


4.24260

**Order No. 4.24240  
Duck Family**



**Order No. 4.24260  
Chicken Family**



Scale 1:50

Safety check according to DIN EN 1176

**Components**

**Order No. 4.24240 / 4.24260**

- 1 Big animal mother with rocking mechanism
- 5 Ducklings, threaded on Richter Hercules type rope
- 1 Pre-fabricated foundation made of reinforced concrete C35/45
- 2 Foundation timbers

**Installation information**

Surfacing requirements corresponding to a fall height of  $\leq 0.60$  m (please refer to price list for more detailed information)

- Foundations**
- 1 Pre-fabricated foundation (delivered with equipment)  
Exavation 40 x 90 x 25 cm
  - 2 Foundation timbers for digging in  
Exavation 10 x 60 x 40 cm

**Recommendation**

When installed in loose ground, the pre-fabricated concrete foundation should be covered durably, e.g. with safety tiles.

**Attention:**

**Exact measurements may vary; for all installation dimensions refer to current assembly instructions.**  
Technical changes reserved.



4.24240



4.24260

**Technical information**

Equipment made of non-impregnated mountain larch

**Core-free**

Sawn-timbers core-free, thus decreasing occurrences of cracking and undesired changes in shape



**Plywood**

Plywood made of mountain larch, three-layer (3 cm) or five-layer (4 cm). High dimensional stability, waterproof, glued according to DIN EN 13353:2011



**Richter Hercules type rope**

Richter Hercules type rope, a combination of galvanised six-strand steel cables and polyester yarn, diameter  $> 20$  mm, laid and glued with very good abrasion resistance, strong sheathing even in the case of damage by puncturing



**For more detailed explanation of the quality characteristics see price list.**

Rocking mechanism and fixings hot-dip galvanised

Foundation timbers made of oak wood

Standard colour rope: rainbow

**Colour**

Colouring with solvent-free acrylic paints; the wood is processed in a way that allows the structure of the wood to remain clearly visible

**Dimensions**

(small deviations possible)

**Order No. 4.24240 Duck Family  
Order No. 4.24260 Chicken Family**

Mother	
Length	0.85 m
Width	0.35 m
Sitting height	0.40 m
Kleine Küken	
Length	0.36 m
Width	0.15 m
Sitting height	0.20 m
Length total	3.35 m
Weight total	135 kg