

**Play value**

Playing with sand has a very stimulating quality, which is why it should not be missing from any small children's area. And if there is also water available children can splash and mix away, make sandcastles and "bake cakes". The additional sun awning can be lowered and used as a cover for the sandpit.



Order No. 4.24309 Awning / Sand Box cover



Order No. 4.24305 Sand Box



**Fundamental characteristics**

- Child-oriented dimensions
- Natural wooden surface which appeals to the senses

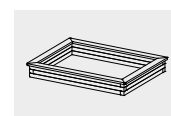
**Recommended for**

- Children under 3 years
- Kindergarten children
- Supervised play areas, such as kindergartens, schools, after-school programmes or similar
- Public play areas without supervision, such as playgrounds, parks or similar

**Barrier-free**

- With a carer
- Independent play

**Sand Box  
Awning / Sand Box cover**



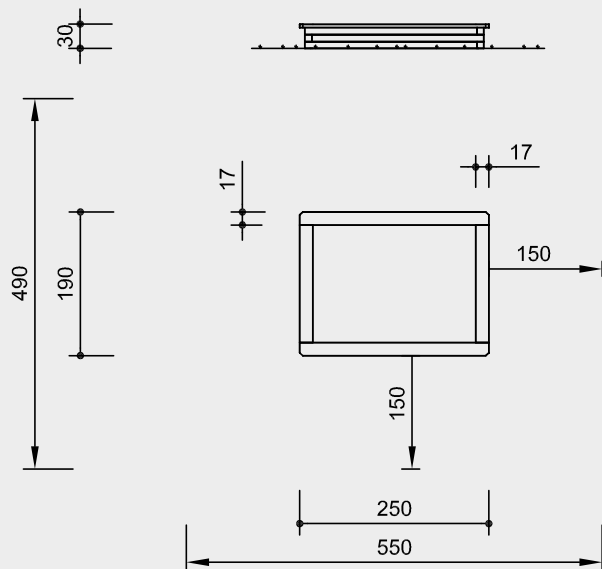
4.24305



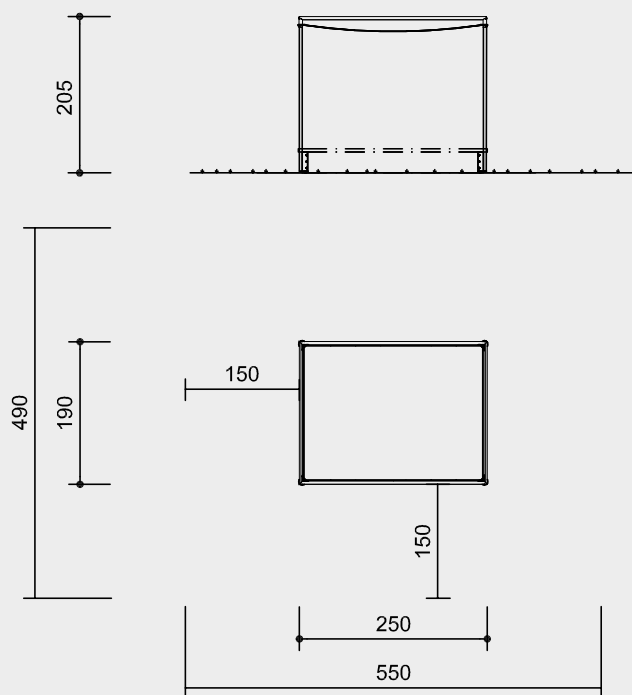
4.24309

**Order No. 4.24305**  
**Sand Box**

Safety distance   
Device dimensions   
Functional distance 

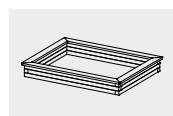


**Order No. 4.24309**  
**Awning / Sand Box cover**



Scale 1:100

Safety check according to DIN EN 1176



4.24305



4.24309

**Technical information**

**Order No. 4.24305**  
**Sand Box**

Equipment made of non-impregnated mountain larch

**Core-free**

Sawn-timbers core-free, thus decreasing occurrences of cracking and undesired changes in shape



**Ground anchor**

All parts used for anchoring to the ground are made of hot-dip galvanised steel or stainless steel



**For more detailed explanation of the quality characteristics see price list.**

**Order No. 4.24309**  
**Awning / Sand Box cover**

Awning with rectangles, made of mesh fabric, standard colour grey, UV resistant  
Frame made of V2A, glass bead blasted

**Dimensions**

(small deviations possible)

**Order No. 4.24305**  
**Sand Box**

Height	0.30 m
Length	2.50 m
Width	1.90 m
Weight	160 kg

**Order No. 4.24309**  
**Awning / Sand Box cover**

Height	2.05 m
Length	2.50 m
Width	1.90 m
Weight	approx. 55 kg

**Components**

**Order No. 4.24305**  
**Sand Box**

- 1 Sand box
- 2 Ground anchors

**Order No. 4.24309**  
**Awning / Sand Box cover**

- 1 Awning incl. fastening material
- 4 Steel tubes
- 1 Frame

**Installation information**

Surfacing requirements  
no requirements  
Sand is required for correct functioning.

Foundations  
(only necessary in order to immobilise the equipment)  
2 ground anchors are included for fastening in the ground.

**Attention:**  
**Exact measurements may vary;**  
**for all installation dimensions refer to current assembly instructions.**  
Technical changes reserved.