

**Play value**

The caterpillar is a friendly play offer for small children. The harmonious appearance of the figure and the way in which it is possible to play from both sides offer a lively and pleasant basis for smaller playing spaces. The space partitions promote communicative play, but also make it possible to create borders and divisions of the play areas. This caterpillar type is equipped with coloured discs, a marble run and rotating discs.



Photos © Daniel Perales



Photo © Daniel Perales

**Fundamental characteristics**

- Friendly appearance
- Coloured discs
- Rotating discs

**Recommended for**

- Kindergarten children
- Supervised play areas, such as kindergartens, schools, after-school programmes or similar
- Public play areas without supervision, such as playgrounds, parks or similar

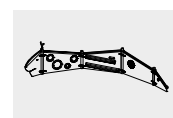
**Planning information**

The angles of the opposing wall elements and their number can be freely selected to a great extent. Both spread-out as well as more compact floor plans can be constructed. By freely selecting and arranging the individual elements, it is possible to carry out planning according to your requirements. The elements can also be used as partitioning play units without caterpillar head and tail.

**Note**

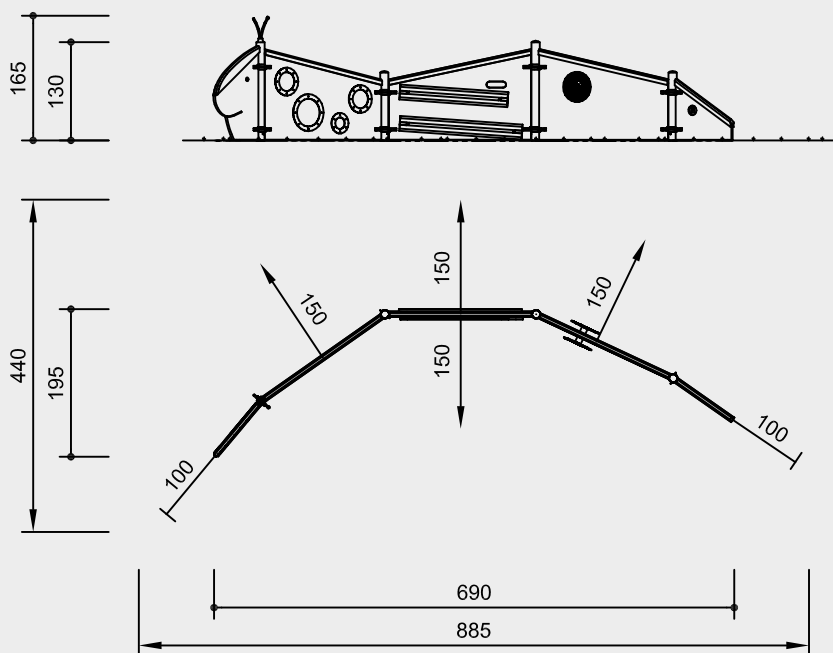
In the standard version, only the head and tail use colour in their design. The elements installed in between are also available with coloured trims at extra charge.

**Caterpillar Type 02**



**Order No. 5.00015**  
**Caterpillar Type 02**

Safety distance →  
 Device dimensions ●  
 Functional distance —



Safety check according to DIN EN 1176

**Components**

- 1 Head with horns
- 1 Element: coloured discs
- 1 Element: marble run with 6 balls
- 1 Element: rotating discs
- 1 Tail with bell
- 4 Steel posts for dowelling and 4 heavy duty anchors

**Installation information**

Surfacing requirements corresponding to a fall height of  $\leq 0.60$  m (please refer to price list for more detailed information)

Foundations  
 4 items 50 x 50 x 40 cm  
 Excavation depth 60 cm  
 2 items 30 x 30 x 30 cm  
 Excavation depth 50 cm

**Attention:**  
**Exact measurements may vary;**  
**for all installation dimensions refer**  
**to current assembly instructions.**  
 Technical changes reserved.

**Technical information**

Equipment made of non-impregnated mountain larch

**Core-free**

Sawn-timbers core-free, thus decreasing occurrences of cracking and undesired changes in shape



**Plywood**

Plywood made of mountain larch, three-layer (3 cm) or five-layer (4 cm). High dimensional stability, waterproof, glued according to DIN EN 13353:2011



**Richter Hercules type rope**

Richter Hercules type rope, a combination of galvanised six-strand steel cables and polyester yarn, diameter > 20 mm, laid and glued with very good abrasion resistance, strong sheathing even in the case of damage by puncturing



**Aluminium rope pressing**

Aluminium rope pressing, cylindrically pressed, with rounded ends



**Ground anchor**

All parts used for anchoring to the ground are made of hot-dip galvanised steel or stainless steel



**Roller bearings**

Roller bearings made of stainless steel for rotating elements, easy to maintain and exchange, sealed



**For more detailed explanation of the quality characteristics see price list.**

Posts made of stainless steel, glass bead blasted

Bell made of brass

Rotating Discs made of PVC hard integral foam

Printed-on black / white motif anti-glare surface

Vlange and fastening bolts made of stainless steel

Coloured Discs made of acrylic glass 3 mm, fastening frame made of stainless steel

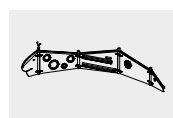
**Colour**

Colouring with solvent-free acrylic paints; the wood is processed in a way that allows the structure of the wood to remain clearly visible

**Dimensions**

(small deviations possible)

Height	1.65 m
Height of head	1.30 m
Length of the element	
Head	1.00 m
Middle part	2.00 m
Tail	1.00 m
Weight	260 kg



5.00015