

Play value

Water play installations become even more attractive when they help to experience water in different ways. Children particularly enjoy damming water. On one hand, they are momentarily the „Master“ of the element water when stemming the flood water and on the other hand, they experience, through play, the water power when opening the lock of the dam. It is most fun when natural materials such as mud, leaves and small sticks are used to dam the water. However, this is often not possible or desired. Therefore, complementary elements such as locks or flaps are required.

Fundamental characteristics

- High-quality design
- Sturdy construction; can also be used in wide gutters
- Incentive for playing: technical appearance

Recommended for

- Kindergarten children
- School children
- Water play areas without supervision



Order No. 5.20930 Lock Gate



Order No. 5.20930 Lock Gate



Order No. 5.20950 Ball Valve, Photo © Paul Upward

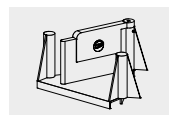


Order No. 5.20950 Ball Valve, Photo © Paul Upward

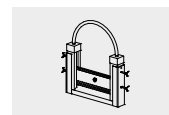


Order No. 5.20907 Water Switch

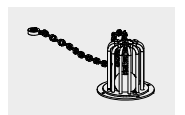
**Water Switch
Lock Gate
Ball Valve**



5.20907



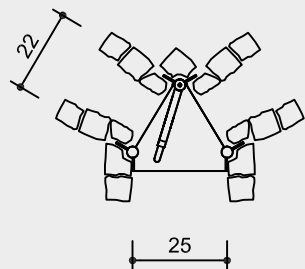
5.20930 / 5.20933



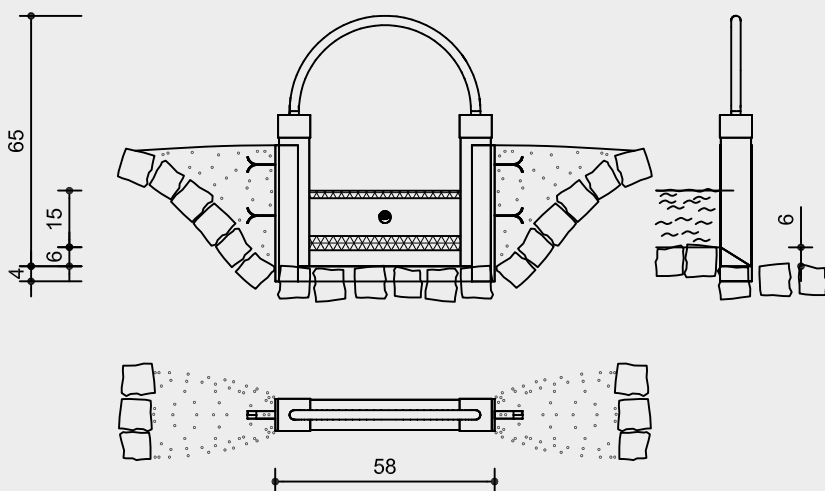
5.20950

Order No. 5.20907
Water Switch

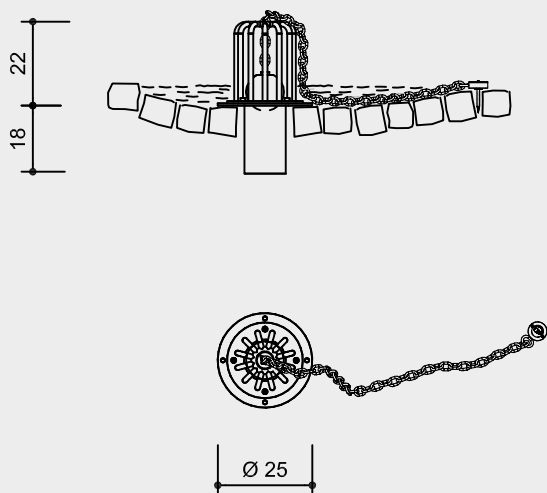
Safety distance →
Device dimensions —●—
Functional distance —|—



Order No. 5.20930
Lock Gate with installation frame
Damming height 15 cm



Order No. 5.20950
Ball Valve



Technical information

Equipment made of stainless steel,
glass bead blasted

Order No. 5.20907
Water Switch

Sealing plate of solid rubber

Order No. 5.20930
Lock Gate with installation frame
for installation in a concrete or brick
channel

Seal of 20 mm rubber plate

Order No. 5.20950
Ball Valve

Ball made of polyamide, freely moveable
in a basket which is screwed on a round
plate with a pipe connection with
diameter 100 mm, for connection to an
existing pipe; plate and chain for fixation
with masonry plugs

Dimensions

(small deviations possible)

Order No. 5.20907 Water Switch	
Height	0.15 m
Side length	0.22 / 0.25 m
Damming height	0.12 m
Weight	6 kg
Order No. 5.20930 / 5.20933 Lock Gate	
Height	0.65 m
Width	0.58 m
Damming height	0.15 / 0.18 m
Weight	20 kg
Order No. 5.20950 Ball Valve	
Equipment height	0.24 m
Ground plate diameter	0.25 m
Ball diameter	0.10 m
Weight	12 kg

Components

1 Part each

Installation information

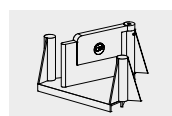
Recommendation:
surface of reinforced watercourse
Foundations according to installation
information

Order No. 5.20930 / 5.20933 Lock Gate
The sealing is appropriate for playground
use, it is possible that a small quantity
of water passes the sealing. For a proper
function a height difference of 6 cm is
required as the threshold is bevelled in
order to avoid that materials deposit in
the sealing zone.

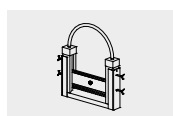
Order No. 5.20950 Ball Valve
The outlet of the Ball Valve should have a
cleaning possibility (sand collector).
The basin should have an overflow.

Scale 1:20

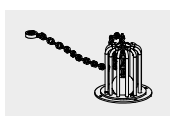
Safety check according to DIN EN 1176



5.20907



5.20930 / 5.20933



5.20950

Attention:

Exact measurements may vary;
for all installation dimensions refer
to current assembly instructions.
Technical changes reserved.

For use in aggressive environments
such as salt or chlorine water, the
equipment is also available in
marine grade steel (V4A).