



Order No. 5.28032 Sickle Gate



Order No. 5.28035 Rotating Gate

Play value

Experience the power of water – this can be achieved particularly well by damming water and then opening the floodgates. It is most fun when natural materials such as mud, leaves and small sticks are used to dam the water. However, this is often not possible or desired. Therefore, complementary elements such as locks or flaps are required.

Fundamental characteristics

- Easy handling
- Sturdy construction

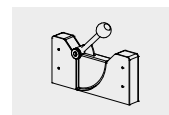
Recommended for

- Kindergarten children
- Supervised play areas such as kindergartens, schools, after-school programmes or similar
- Public play areas without supervision such as playgrounds, parks or similar

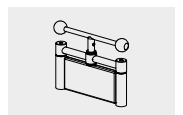


Order No. 5.28035 Rotating Gate, Photo © Daniel Perales

**Sickle Gate
Rotating Gate**



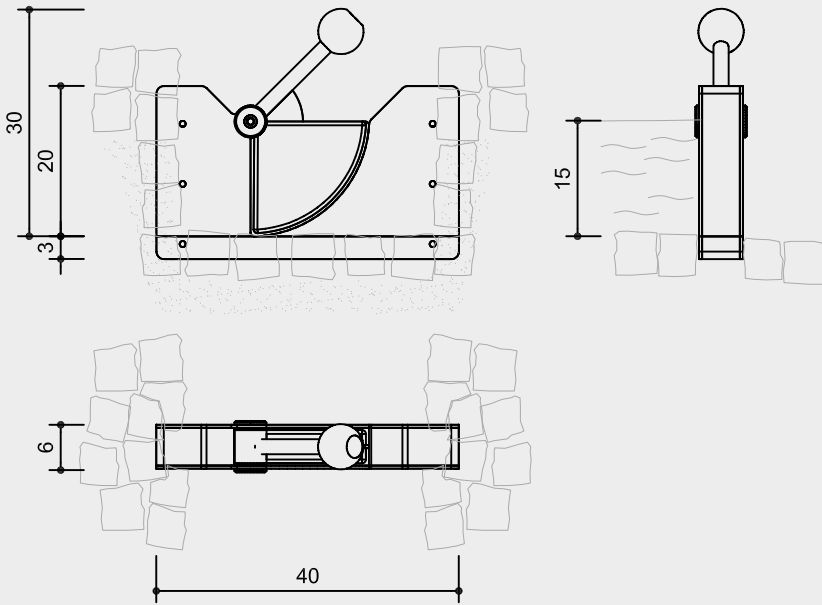
5.28032



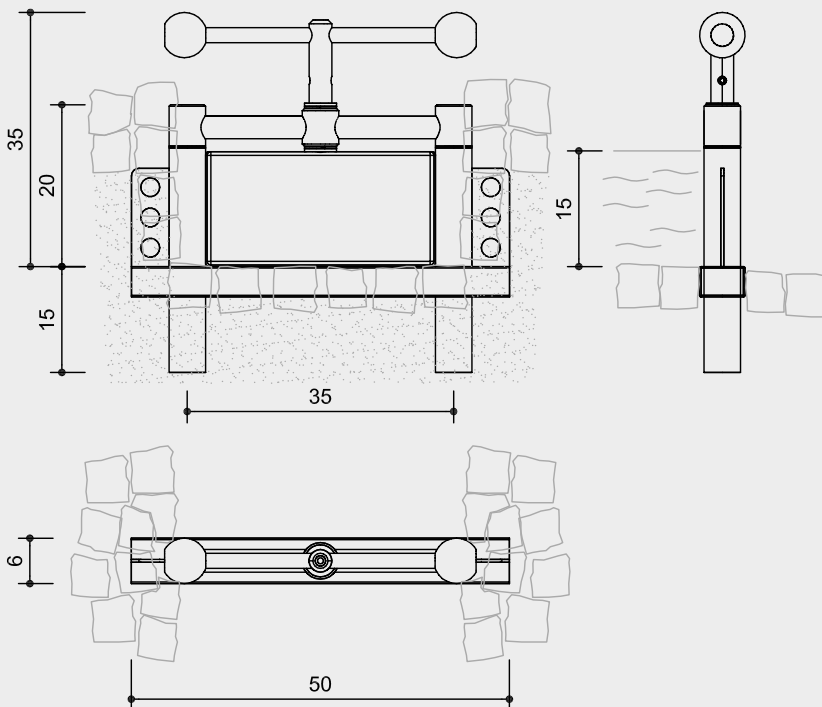
5.28035

Order No. 5.28032
Sickle Gate

Safety distance →
Device dimensions ●
Functional distance —



Order No. 5.28035
Rotating Gate



Technical information

Order No. 5.28032
Sickle Gate

Cover plates made of stainless steel, glass-bead blasted
Body, gate, ball head and plain bearing made of impact-resistant, coloured-through PUR plastic parts, black

Order No. 5.28035
Rotating Gate

Turning frame made of stainless steel, glass-bead blasted
Plain bearings, gates and ball heads made of impact-resistant, coloured-through PUR plastic parts, black

Dimensions

(small deviations possible)

Order No. 5.28032
Sickle Gate

Height	0.30 m
Width	0.40 m
Damming height	0.15 m
Weight	10 kg

Order No. 5.28035
Rotating Gate

Height	0.35 m
Width	0.50 m
Damming height	0.15 m
Weight	9 kg

Components

Order No. 5.28032
Sickle Gate

1 Sickle Gate
Registered Design
40 2020 202 219.9 Germany

Order No. 5.28035
Rotating Gate

1 Rotating Gate
Registered Design
40 2020 202 215.6 Germany

Installation information

Surfacing requirements
Recommendation: surface of reinforced watercourse

All equipment can be easily installed into any artificial watercourse.

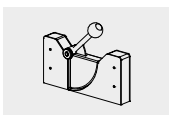
Foundations
According to installation situation.

Attention:
Exact measurements may vary;
for all installation dimensions refer to current assembly instructions.

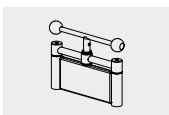
Technical changes reserved.
For use in aggressive environments such as salt or chlorine water, the equipment is also available in marine grade steel (V4A).

Scale 1:10

Safety check according to DIN EN 1176



5.28032



5.28035