



**Play value**

The Rocker is especially fun when several children set it in motion by moving around on it. The centre pole is ideal for holding on to and enjoying the fun even when the rocker is dipping sharply, because the weights are unevenly placed. The small platform is fastened to the foundation by three springs and is very durable.



**Fundamental characteristics**

- Incentive for playing: round wooden surface, pole for holding on, springs
- Movement: bouncing, shaking, wobbling, moving one's centre of gravity

**Recommended for**

- Kindergarten children
- School children
- Supervised play areas, such as kindergartens, schools, after-school programmes or similar
- Public play areas without supervision, such as playgrounds, parks or similar
- Swimming pools without supervision, such as outdoor pools, adventure pools or similar

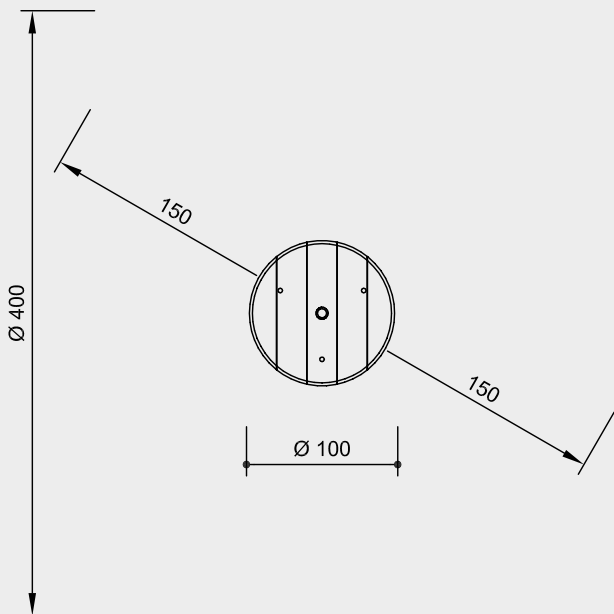
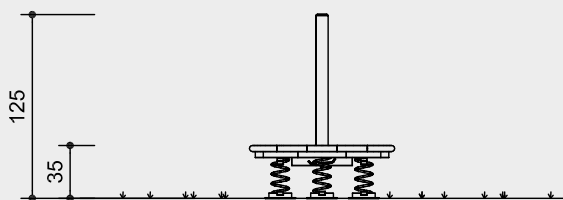
**Rocker**



6.04000

**Order No. 6.04000**  
**Rocker**

Safety distance →  
Device dimensions ●  
Functional distance —



Scale 1:50

Safety check according to DIN EN 1176

**Components**

- 1 Rocker complete with 3 springs
- 1 Foundation frame

**Installation information**

Surfacing requirements corresponding to a fall height of ≤ 0.60 m (please refer to price list for more detailed information)

Foundations  
1 item Ø 80 cm x 30 cm  
Excavation depth 40 cm

**Attention:**  
**Exact measurements may vary;**  
**for all installation dimensions refer to current assembly instructions.**  
Technical changes reserved.

**Technical information**

Equipment made of non-impregnated mountain larch

**Core-free**

Sawn-timbers core-free, thus decreasing occurrences of cracking and undesired changes in shape



**Ground anchor**

All parts used for anchoring to the ground are made of hot-dip galvanised steel or stainless steel



**For more detailed explanation of the quality characteristics see price list.**

Plate of 45 mm thick boards, screwed together with expansion joints

Fastening elements hot-dip galvanised

Coated springs, standard colour red

**Dimensions**

(small deviations possible)

Height, total	1.25 m
Height, plate	0.35 m
Plate diameter	1.00 m
Round pole diameter	80 mm
Weight	60 kg



6.04000