

Play value

Rocking holds an almost inexhaustible attraction for small children. This can be seen by the way in which children persistently test their balance on chairs – bringing some parents to despair. That’s why every playground should have a see-saw. Our Small See-saw has a delightful shape and provides gentle see-sawing fun.



Photo © Daniel Perales



Photo © Jenny Halse



Photo © Jenny Halse



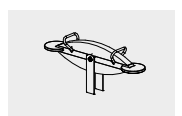
Fundamental characteristics

- High-quality design
- Incentive for playing: “riding”
- Movement: climbing up, see-saw

Recommended for

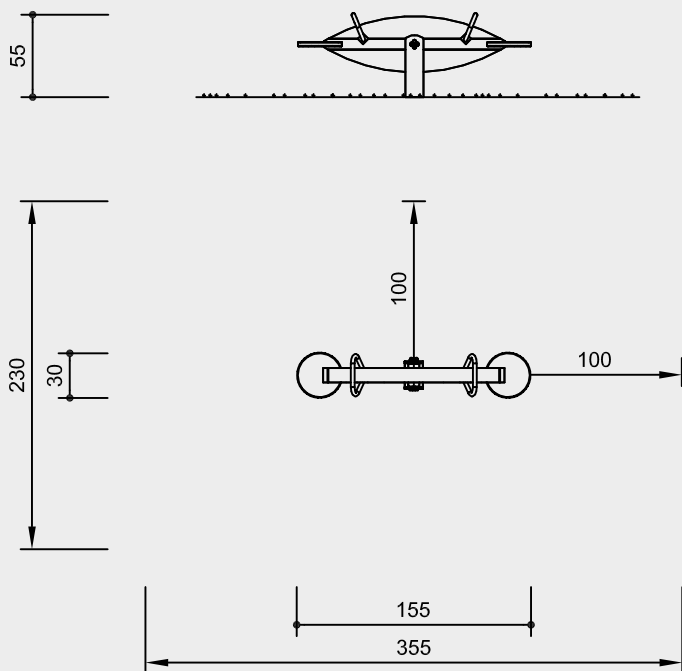
- Children under 3 years
- Kindergarten children
- Supervised play areas, such as kindergartens, schools, after-school programmes or similar
- Public play areas without supervision, such as playgrounds, parks or similar

Small See-saw



Order No. 6.11700
Small See-saw

Safety distance 
 Device dimensions 
 Functional distance 



Scale 1:50

Safety check according to DIN EN 1176

Components

- 1 Small See-saw complete with support frame

Installation information

Surfacing requirements
 surfacing required as for critical fall height of ≤ 1.00 m
 (please refer to price list for more detailed information)

Foundations
 1 item 50 x 80 x 50 cm
 Excavation depth 70 cm

Attention:
Exact measurements may vary, for all installation dimensions refer to current installation instructions.
 Technical changes reserved.

Technical information

Equipment made of non-impregnated mountain larch

Core-free

Sawn-timbers core-free, thus decreasing occurrences of cracking and undesired changes in shape



Laminated wood beams

Laminated wood beams made of non-impregnated larch, glued according to EN 14080:2013; for very large timber cross-sections; comparatively low shrinkage, almost completely free of cracks



Plywood

Plywood made of mountain larch, three-layer (3 cm) or five-layer (4 cm). High dimensional stability, waterproof, glued according to DIN EN 13353:2011



Ground anchor

All parts used for anchoring to the ground are made of hot-dip galvanised steel or stainless steel



For more detailed explanation of the quality characteristics see price list.

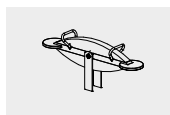
See-saw mechanism with rubber buffers, maintenance-free

Grips of stainless steel, glass bead blasted

Dimensions

(small deviations possible)

Height	0.55 m
Max. rocking height	0.80 m
Length	1.55 m
Width	0.30 m
Weight	55 kg



6.11700