



**Play value**

The Chain Path consists of carefully mounted running bars which swing harmonically under load. This interesting linking element is a challenge for skills and concentration and is a relaxation for tired feet. The Chain Path is also available as access equipment for slopes.

**Fundamental characteristics**

- The use of wood provides for a special tactile experience
- Incentive for playing: round timbers suspended on chains
- Movement: balancing, swinging, walking, coordination

**Recommended for**

- Kindergarten children
- School children
- Supervised play areas such as kindergartens, schools, after-school programmes or similar
- Public play areas without supervision such as playgrounds, parks or similar
- Swimming pools without supervision, such as outdoor pools, adventure pools or similar

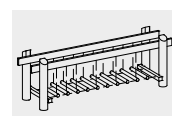


Photo © Jenny Halse

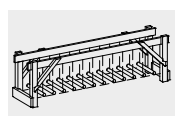
**Chain Path**  
**Free-standing Chain Path**



Order No. 6.52100 Free-standing Chain Path with protecting path through



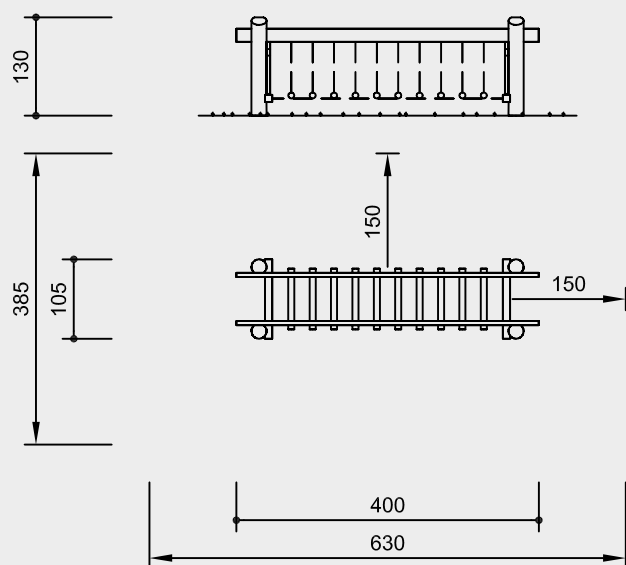
6.52000



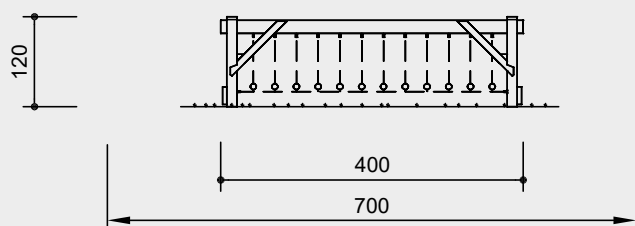
6.52100

**Order No. 6.52000**  
**Chain Path**

Safety distance →  
Device dimensions ●  
Functional distance —



**Order No. 6.52100**  
**Free-standing Chain Path**



Scale 1:100

Safety check according to DIN EN 1176

**Components**

**Order No. 6.52000**

- 2 Support frames of round posts with steel feet
- 2 Handrails with chains and 10 running boards

**Order No. 6.52100**

- 1 Chain Path complete with 12 running boards

**Installation information**

Surfacing requirements corresponding to a fall height of  $\leq 0.60$  m (please refer to price list for more detailed information)

**Foundations**

**Order No. 6.52000**  
**Chain Path**  
4 items 60 x 60 x 60 cm  
Excavation depth 80 cm

**Attention:**  
**Exact measurements may vary, for all installation dimensions refer to current installation instructions.**  
Technical changes reserved.

**Technical information**

Equipment made of non-impregnated mountain larch

**Core-free**

Sawn-timbers core-free, thus decreasing occurrences of cracking and undesired changes in shape



**Profiled washer**

Profiled washer for covering protruding screw heads according to standard, improved pressure distribution and protection against water. Impedes loosening the bolt



**Adjustable**

Adjustable two-piece bolt connection, easy to maintain, no projecting threads



**Chains**

Chains made of hot-dip galvanized steel (1.4301 / 1.4571 at extra charge) welded before galvanising, short-linked, without eyelets on the connecting parts, easy to exchange and shorten



**For more detailed explanation of the quality characteristics see price list.**

Running boards  $\varnothing$  80 mm

**Order No. 6.52000**  
**Chain Path**

As above, but in addition with

**Peeled white**

Palisades peeled white means that bark, cambium and sapwood are removed, the natural shape of the trunk is preserved and can be experienced



**Bevel cut**

Vertical stand posts with bevelled end grain section as constructive wood preservation measure



**Ground anchor**

All parts used for anchoring to the ground are made of hot-dip galvanized steel or stainless steel



**For more detailed explanation of the quality characteristics see price list.**

**Dimensions**

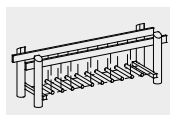
(small deviations possible)

**Order No. 6.52000**  
**Chain Path**

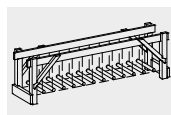
Height	1.30 m
Walking height	0.30 m
Length	4.00 m
Width	1.05 m
Weight	180 kg

**Order No. 6.52100**  
**Free-standing Chain Path**

Height	1.20 m
Walking height	0.30 m
Length	4.00 m
Width	1.05 m
Weight	300 kg



6.52000



6.52100