

Play value

The Wind Pipes are a simple sound equipment which enables the person „playing them“ to experience physically the relation of cause and effect. The three, ground level integrated see-saw beams can be moved independently from each other. Due to the movement of the beams, the air pressure which is required for playing the pipes is produced. By means of shifting the weight or moving from one beam to the other, different simple sequences of notes are produced. Six different notes are possible. Children enjoy very much making „music“ with the whole body or producing „beautiful“ (dreadful) sequences of notes by using the see-saw effect of the beams.

Fundamental characteristics

- Unique and original
- Combination of see-sawing and experience of sound
- Incentive for playing: surprising element on the ground
- Movement: shifting one’s weight

Recommended for

- Kindergarten children
- School children
- Young people
- Adults
- Older people
- Supervised play areas, such as kindergartens, schools, after-school programmes or similar
- Public play areas without supervision, such as playgrounds, parks or similar

Barrier-free

- Independent play

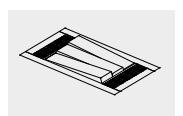
Planning information

To prevent the underground parts of the mechanism from being damaged, we strongly advise against installing the equipment in sand.




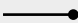
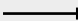
Acoustic effect	medium / pipes
Vandalism	not vulnerable
Supervision	recommended

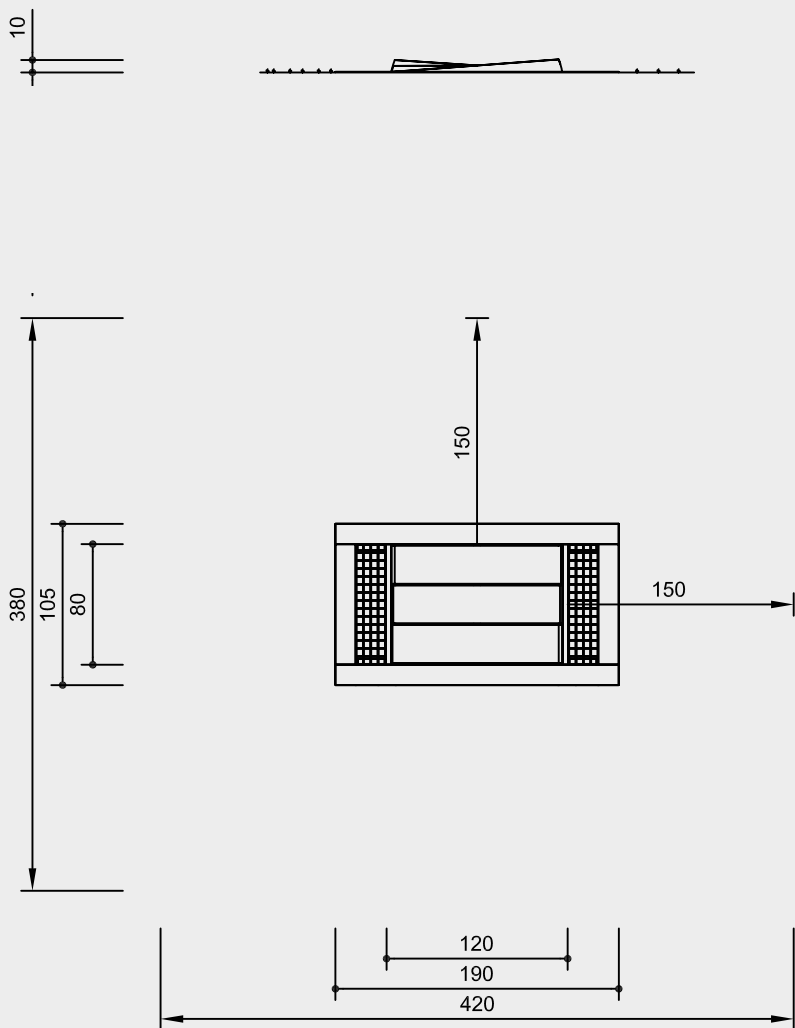
Wind Pipes



9.02400

Order No. 9.02400
Wind Pipes

Safety distance 
 Device dimensions 
 Functional distance 



Scale 1:50

Safety check according to DIN EN 1176

Components

- 1 Complete equipment with 3 see-saw beams and 6 piston pumps with musical pipes

Installation information

Surfacing requirements corresponding to a fall height of ≤ 0.60 m (please refer to price list for more detailed information)

Foundations
 Excavation: 125 x 220 x 63 cm
 1 box foundation 125 x 220 x 50 cm with a wall thickness of 30 cm on the short side and 20 cm on the long side

Attention:
Exact measurements may vary; for all installation dimensions refer to current assembly instructions.
 Technical changes reserved.

Technical information

Equipment made of non-impregnated mountain larch

Core-free
 Sawn-timbers core-free, thus decreasing occurrences of cracking and undesired changes in shape



Sintered bush
 For all reciprocating movements we use sintered plain bearings which are self-lubricating in use and can easily be exchanged if necessary



Ground anchor
 All parts used for anchoring to the ground are made of hot-dip galvanised steel or stainless steel



For more detailed explanation of the quality characteristics see price list.

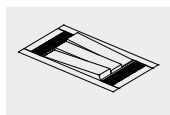
Piston pumps with pipes mounted under the see-saw beam

Pipes are tuned to the pentatonic scale

Ventilation from hot-dip galvanised grille

Dimensions
 (small deviations possible)

Length	1.90 m
Width	1.05 m
See-saw beams	10 / 26 cm
Weight	200 kg



9.02400