

Play value

Our Ball Track is a very special experience. Multiple starting points, a ball basin, an adjustable disc as well as an exiting course allow for varied and stimulating play. Tracking and observing the ball all the way to the finish and then sending it off again, is great fun and gets young and old moving. In addition, the direction of the ball can be changed with the adjustable disc.



The colours of the standard version differ from those shown in the photos.



© Richter Spielgeräte GmbH 06/22

Fundamental characteristics

- Self-explanatory, attractive design
- Simple physical principles and processes are imparted in a playful manner
- Incentive for playing: observing, experimenting, communicating, exercising

Recommended for

- Kindergarten children
- School children
- Only supervised play areas
- Leisure parks

Barrier-free

- Independent play

Components

Order No. 9.19100

- 6 Tracks
- 1 Adjustable disc
- 2 Balls

Order No. 9.19200

- 7 Tracks
- 1 Ball basin
- 1 Adjustable disc
- 2 Balls

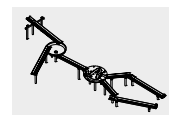
Order No. 9.19500

- 7 Tracks
- 1 Ball basin
- 1 Adjustable disc
- 1 Finish plate
- 2 Balls

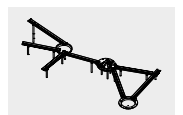
Small Ball Track, Type 1
Small Ball Track, Type 2
Medium Ball Track



9.19100



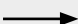
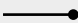

9.19200

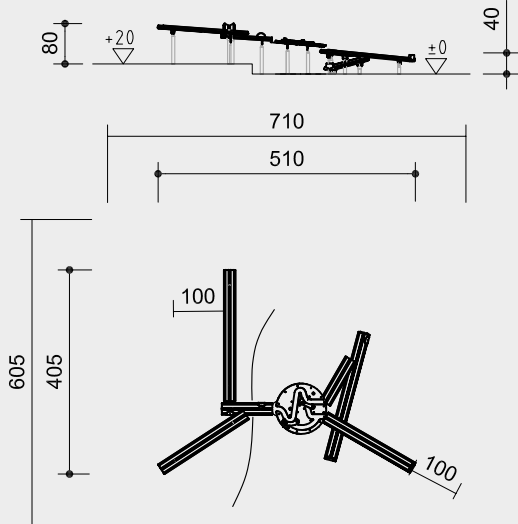


9.19500

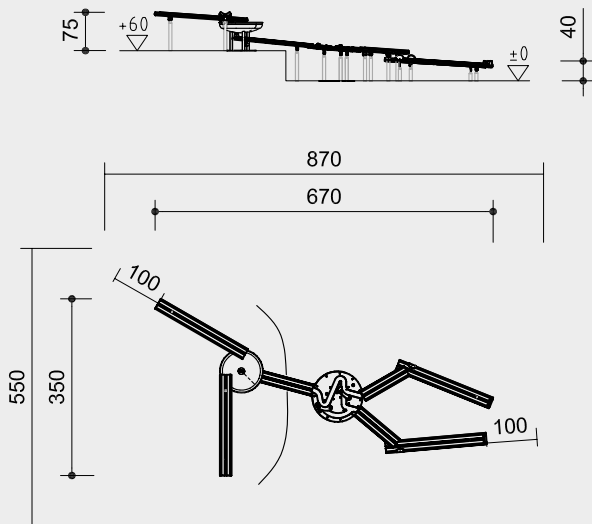
Design F. Dorband / K. H. Thiele

Order No. 9.19100 Small Ball Track, Type 1

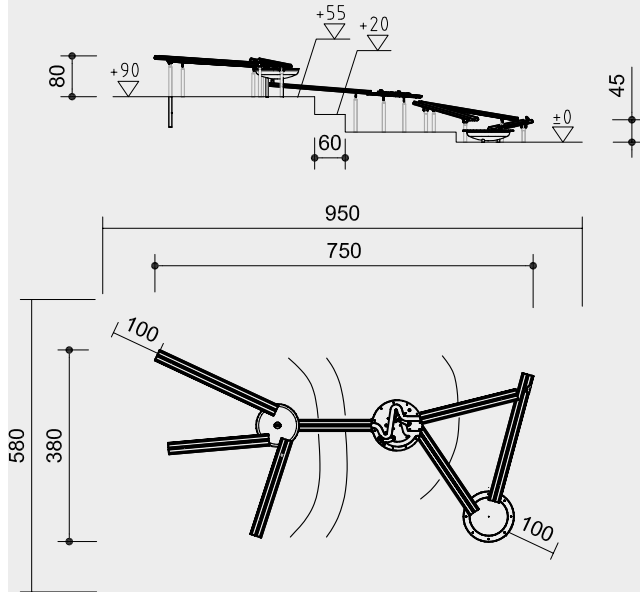
Safety distance 
 Device dimensions 
 Functional distance 



Order No. 9.19200 Small Ball Track, Type 2



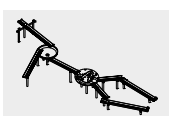
Order No. 9.19500 Medium Ball Track



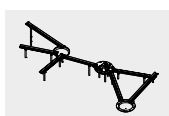
Safety check according to DIN EN 1176



9.19100



9.19200



9.19500

Technical information

Tracks made of non-impregnated mountain larch

Core-free

Sawn-timbers core-free, thus decreasing occurrences of cracking and undesired changes in shape



Ground anchor

All parts used for anchoring to the ground are made of hot-dip galvanised steel or stainless steel



For more detailed explanation of the quality characteristics see price list.

Ball basin and finish plate made of stainless steel, glass-bead blasted

Adjustable disc of high pressure laminate, 10 mm

Rubber elements made of elevator belt, PAH-free, laminated with textile

Balls made of PAH-free hard plastics

Dimensions

(small deviations possible)

Order No. 9.19100 Small Ball Track, Type 1

Height	0.80 m
Length	5.10 m
Width	4.05 m
Weight	165 kg

Order No. 9.19200 Small Ball Track, Type 2

Height	0.75 m
Length	6.70 m
Width	3.50 m
Weight	200 kg

Order No. 9.19500 Medium Ball Track

Height	0.80 m
Length	7.50 m
Width	3.80 m
Weight	245 kg

Installation information

Surfacing requirements corresponding to a fall height of ≤ 0.60 m (please refer to price list for more detailed information)

Foundations

Order No. 9.19100

11 items 50 x 50 x 40
 1 item 70 x 70 x 40
 Excavation depth 60 cm

Order No. 9.19200

11 items 50 x 50 x 40
 1 items 70 x 70 x 40
 1 items 60 x 60 x 40
 Excavation depth 60 cm

Order No. 9.19500

13 items 50 x 50 x 40,
 1 items 70 x 70 x 40
 2 items 60 x 60 x 40
 Excavation depth 60 cm

Attention:

Exact measurements may vary; for all installation dimensions refer to current assembly instructions.

Technical changes reserved.

Scale 1:150