

Play value

The equipment „Climbing Ropes“ is particularly suited to make use of height changes in the landscape. Hills and dales are structured and at the same time, ground and plant are protected from play activities. The simple, but clever rope construction, makes climbing activities in both directions a playful challenge. Aluminium swages on the walking ropes allow for a firm step despite all difficulties. The Climbing Ropes represent an attracting basic element of activity trails.



Order No. L6.51820 Climbing Ropes single element

The rope length can vary as the individual planning requires.

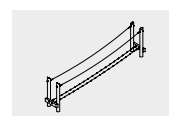
Fundamental characteristics

- Unique and original
- Designed as a plant protecting climbing element with a strong attraction to children
- Incentive for playing: suspended ropes with aluminium swages
- Movement: balance, coordination

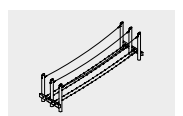
Recommended for

- School children
- Public play areas such as playgrounds, leisure areas, youth centres, school playgrounds or similar

**Climbing Ropes single element
Climbing Ropes double element**



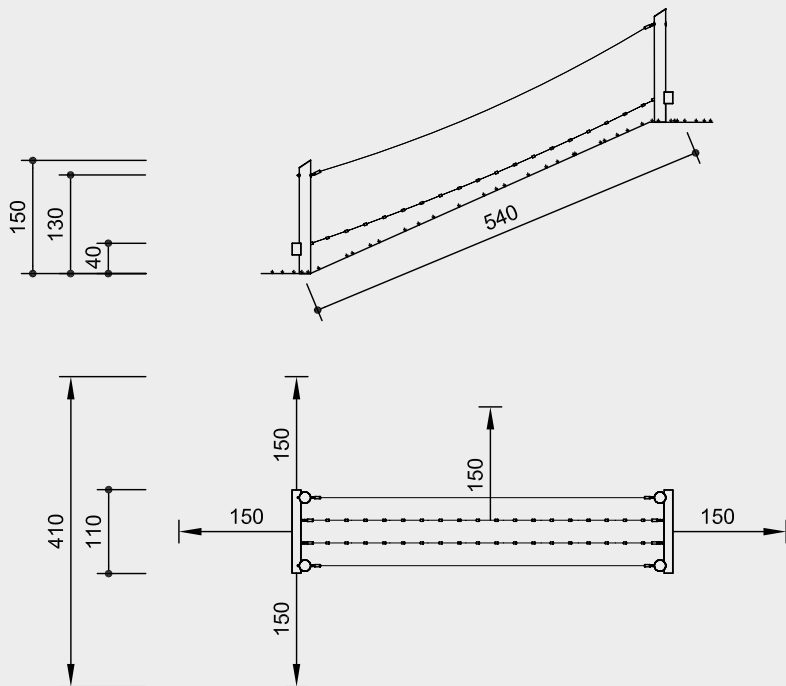
L6.51820



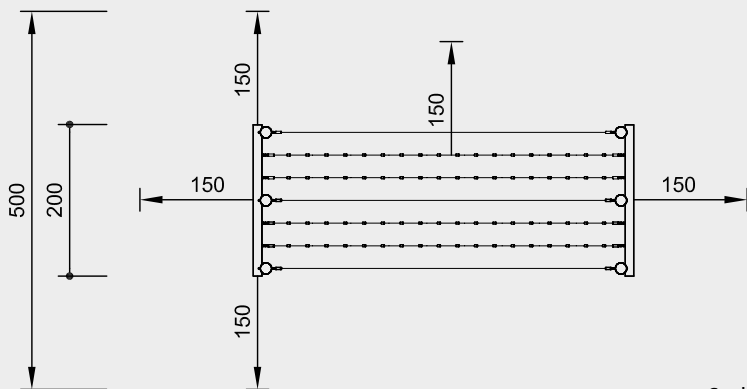
L6.51825

Order No. L6.51820
Climbing Ropes single element

Safety distance →
 Device dimensions ●
 Functional distance —



Order No. L6.51825
Climbing Ropes double element



Scale 1:100

Safety check according to DIN EN 1176

Components

Order No. L6.51820
Climbing Ropes single element

- 2 Support frames
- 2 Running ropes
- 2 Hand ropes

Order No. L6.51825
Climbing Ropes double element

- 2 Support frames
- 4 Running ropes
- 3 Hand ropes

Installation information

Surfacing requirements corresponding to a fall height of ≤ 0.60 m

Foundations

Order No. L6.51820
Climbing Ropes single element

2 items 60 x 150 x 60 cm
 Excavation depth 80 cm

Order No. L6.51825
Climbing Ropes double element

2 items 60 x 240 x 60 cm
 Excavation depth 80 cm

The inclination depends on the local situation.

Attention:

Exact measurements may vary, for all installation dimensions refer to current installation instructions.

Technical changes reserved.

Equipment also available made of impregnated spruce.

Technical information

Equipment made of non-impregnated mountain larch

Peeled white

Palisades peeled white means that bark, cambium and sapwood are removed, the natural shape of the trunk is preserved and can be experienced



Bevel cut

Vertical stand posts with bevelled end grain section as constructive wood preservation measure



Core-free

Sawn-timbers core-free, thus decreasing occurrences of cracking and undesired changes in shape



Richter Hercules type rope

Richter Hercules type rope, a combination of galvanised six-strand steel cables and polyester yarn, diameter > 20 mm, laid and glued with very good abrasion resistance, strong sheathing even in the case of damage by puncturing



Aluminium rope pressing

Aluminium rope pressing, cylindrically pressed, with rounded ends



Ground anchor

All parts used for anchoring to the ground are made of hot-dip galvanised steel or stainless steel



Stainless Chains

Chains made of steel with high corrosion resistance. Short-linked, without eyelets on the connecting parts, easily replaceable and simple shortening



Fastening of rope

Fastening of rope / net by means of adjustable chain fixation, easy assembly and maintenance



For more detailed explanation of the quality characteristics see price list.

Dimensions

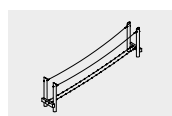
(small deviations possible)

Order No. L6.51820
Climbing Ropes single element

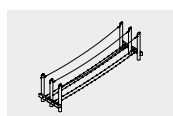
Length	5.40 m
Width	1.10 m
Height of equipment	1.50 m
Height of running ropes	0.40 m
Height of hand ropes	1.30 m
Weight	approx 200 kg

Order No. L6.51825
Climbing Ropes double element

Length	5.40 m
Width	2.00 m
Height of equipment	1.50 m
Height of running ropes	0.40 m
Height of hand ropes	1.30 m
Weight	approx 320 kg



L6.51820



L6.51825